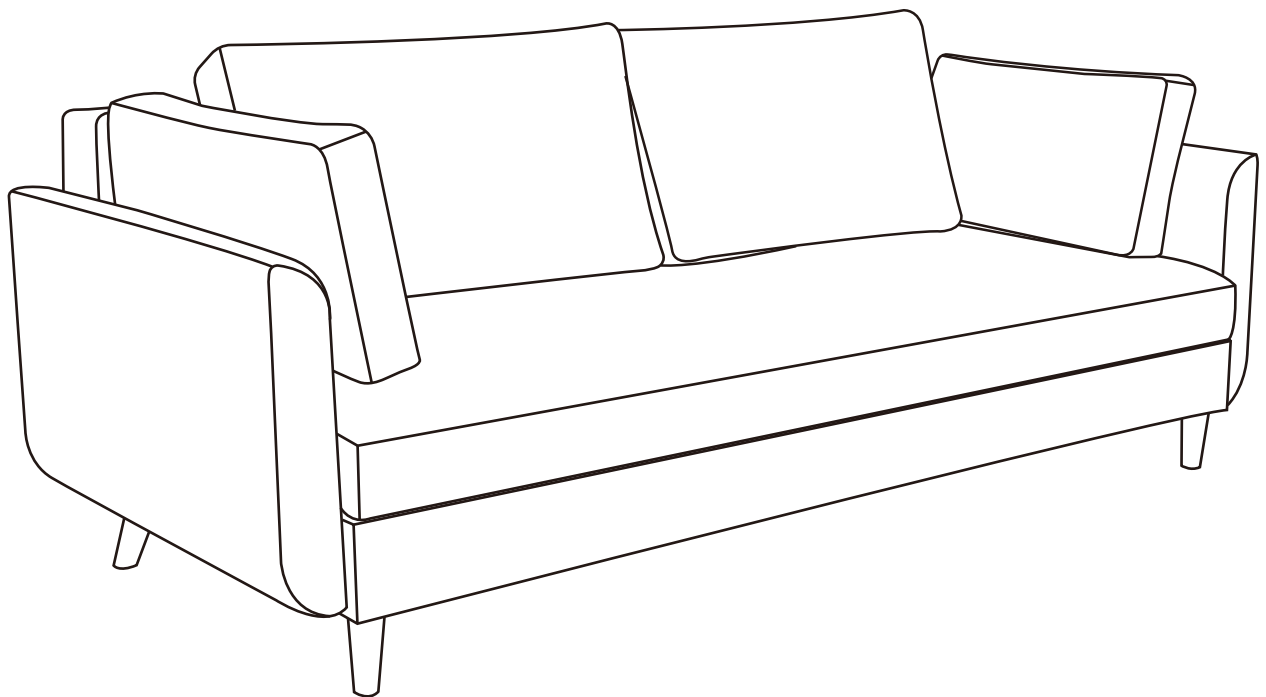


Pocket Rest Sofa Bed



Thank you for purchasing the Pocket Rest Sofa Bed. In order to make the best use of this product and to use it safely, please read the manual carefully before use and keep it for future reference.

STOCK Ref.: Blue-SorPowderBlueSofaBed1of2
-SorPowderBlueSofaBed2of2
Natural-SorNaturalSofaBed1of2
-SorNaturalSofaBed2of2



IMPORTANT - READ CAREFULLY - RETAIN FOR FUTURE REFERENCE

Always follow the manufacturer's instructions.

Important – Please read these instructions fully before starting assembly

- Check you have all the components and tools listed on pages 2 and 3.
- Remove all fittings from the plastic bags and separate them into their groups.
- Keep children and animals away from the work area, small parts could choke if swallowed.
- Parts of the assembly will be easier with 2 people.
- Keep hands clear of moving parts when changing the backrest position.
- Make sure you have enough space to layout the parts before starting.
- Assemble the item as close to its final position (in the same room) as possible.
- Assemble on a soft level surface to avoid damaging the unit or your floor.
- Dispose of all packaging carefully and responsibly.
- Place the product on flat and steady surface during use.
- Keep these instructions for future use.
- To ensure an easier assembly, we strongly advise that all fittings are only finger tightened during initial assembly. Only upon completion of the assembly should all fixing points be fully tightened.
- Periodically check that all fixings remain fully tightened.

Care and maintenance

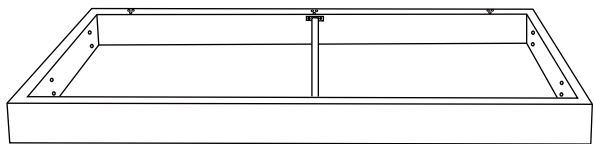
- Safety: To avoid any risk of suffocation to animals or children dispose of the plastic bags immediately.
- Only clean using a damp cloth and mild detergent, do not use bleach or abrasive cleaners.
- Cleaning: As with all surfaces clean with a damp cloth and mild detergent, do not use bleach or abrasive products.
- From time to time check that there are no loose screws on this unit.
- The ventilation of the room is necessary in order to keep the humidity low and to prevent mould in and around the bed.
- This product should not be discarded with household waste. Take to your local authority waste disposal centre.

Cleaning Guidance

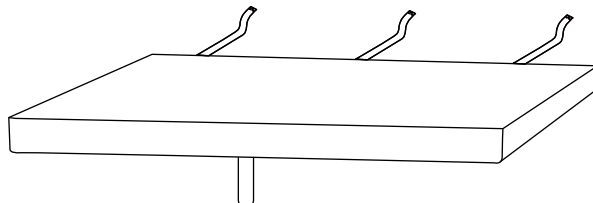
- Minor stains and spillages should be removed immediately from cushion fabric, by wiping over lightly with a damp cloth and mild soapy water.
- Light marking can also be removed using this method.
- To remove more stubborn stains or marking, a good quality proprietary domestic fabric cleaner can be used, although it should first be tested on an inconspicuous area of the fabric.

Components-Parts

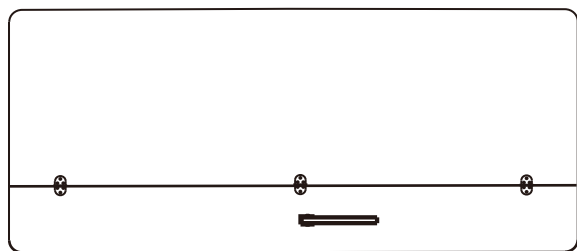
Please check you have all the parts listed below



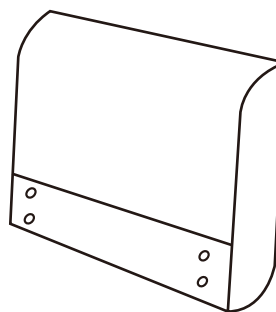
1 Sofa base x 1
(191x75.5x14cm)



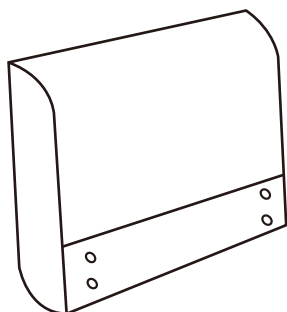
2 Sofa seat x 1
(191x75.5x15cm)



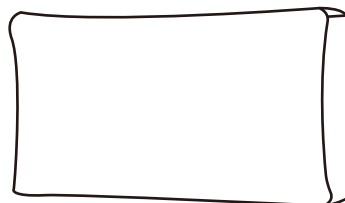
3 Sofa Backrest x 1
(191x61x15cm)



4 Side arm (Right) x 1
(86x48x9.5cm)



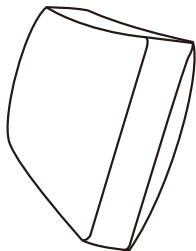
5 Side arm (Left) x 1
(86x48x9.5cm)



6 Back Cushion x 2
(79x44x18cm)
**Note: Packed inside
sofa base**

Components-Parts

Please check you have all the parts listed below



- 7 Side Cushion x 2
(65x34x18cm)



- 8 Front Leg x 2
(12x5cm)

**Note: Packed inside
sofa base**




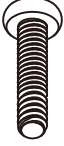


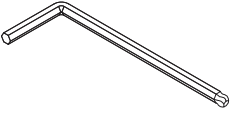
- 9 Back Leg x 2
(12x5cm)

**Note: Packed inside
sofa base**

Fixings, Fittings And Tools


Please check you have all the parts listed below

Note: The quantities below are the correct amount to complete the assembly. In some cases more fittings may be supplied than are required.

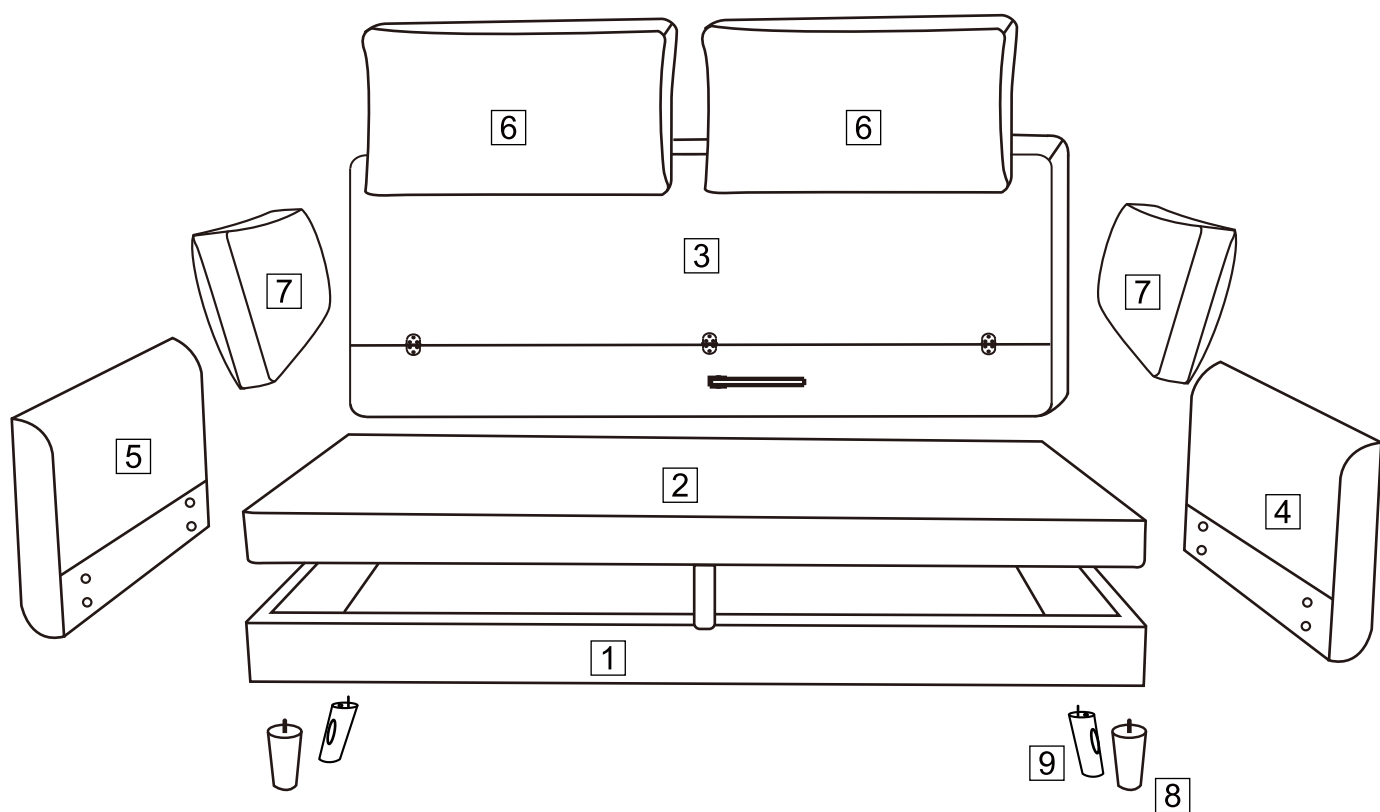
<p>A</p>  <p>Allen Screw M8x70mm x 8</p>	<p>B</p>  <p>Allen Screw M8x50mm x 2</p>	<p>C</p>  <p>Wood screw M4x30mm x 9</p>	<p>D</p>  <p>Spring washer 19x1.2mm x 10</p>
<p>E</p>  <p>Allen Key 5x40x100mm x 1</p>			

Note: All fixings are packed inside the sofa base.

Not Supplied

<p>F</p>  <p>Phillips screwdriver (small & medium)</p>
--

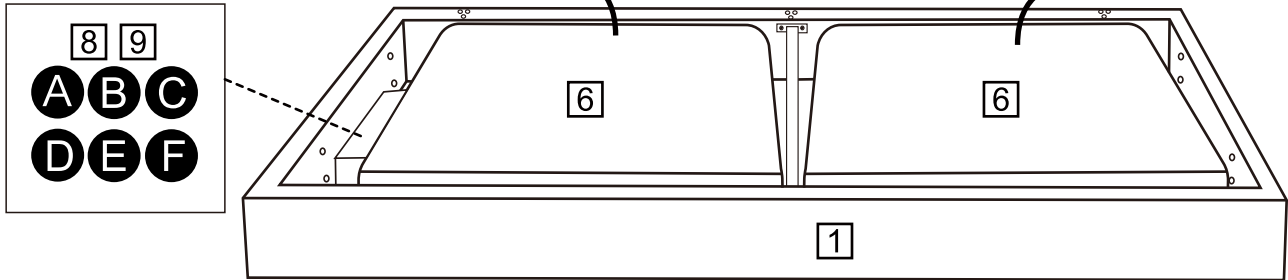
Main Component Diagram



Assembly Steps

Step 1

Remove all components and fixings from sofa base.

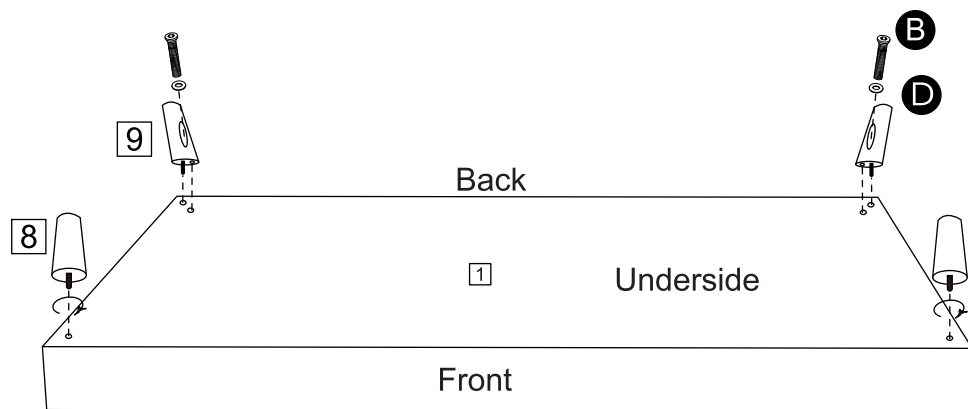
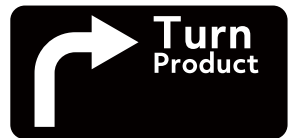


Step 2

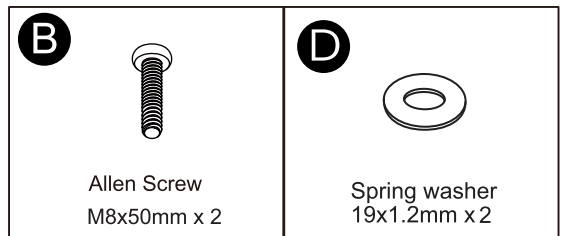
Assemble legs

WARNING!
The body is heavy.
Lift with care.

Note : Only back legs **9** need securing with fixings **B** ,and **D** .
Front legs **8** screw in



Shown Upside Down



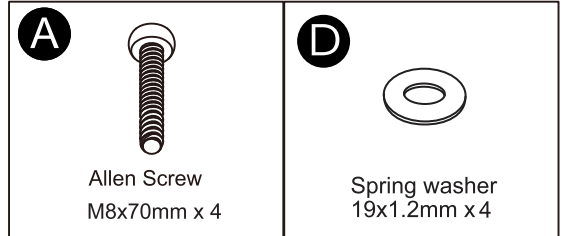
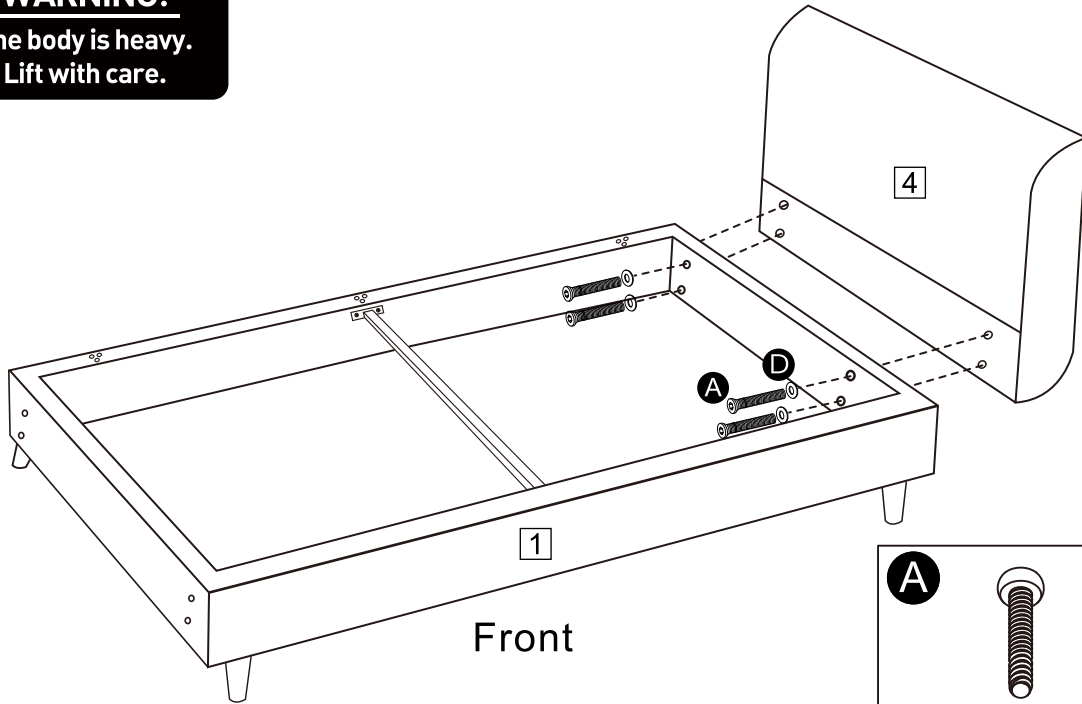
Assembly Steps

Step 3

Assemble right arm

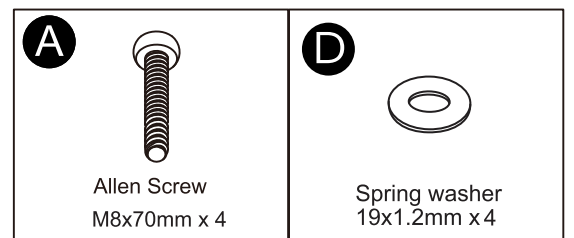
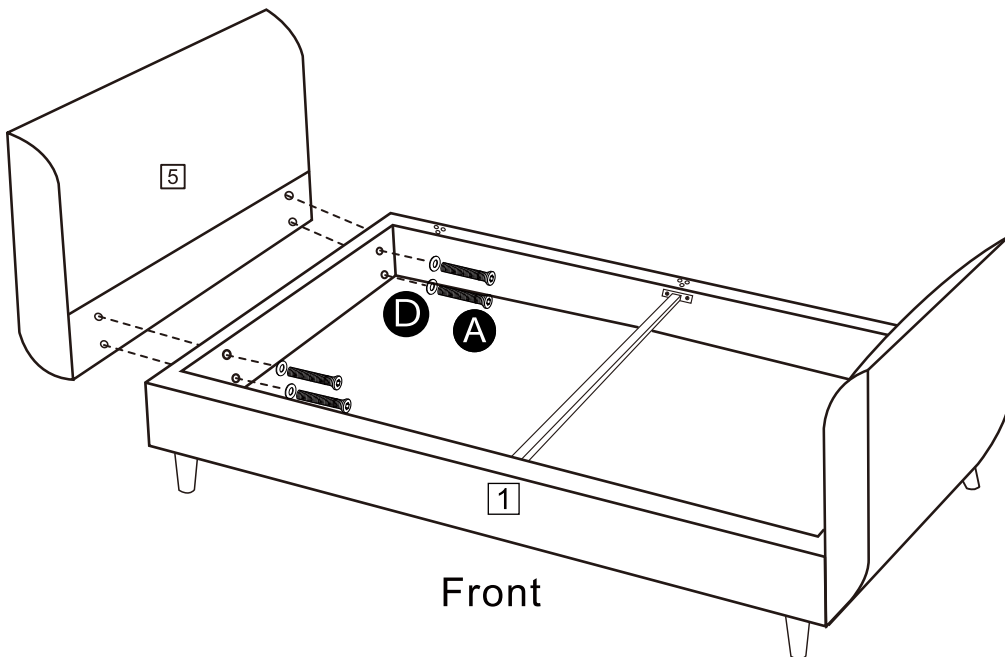
WARNING!

The body is heavy.
Lift with care.



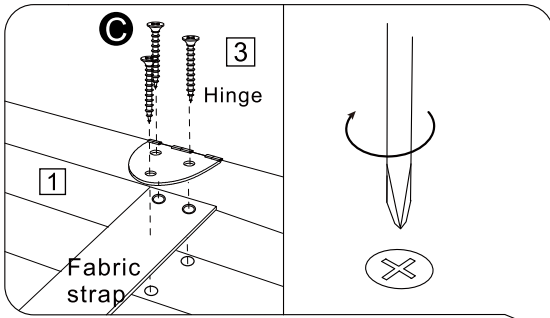
Step 4

Assemble left arm



Assembly Steps

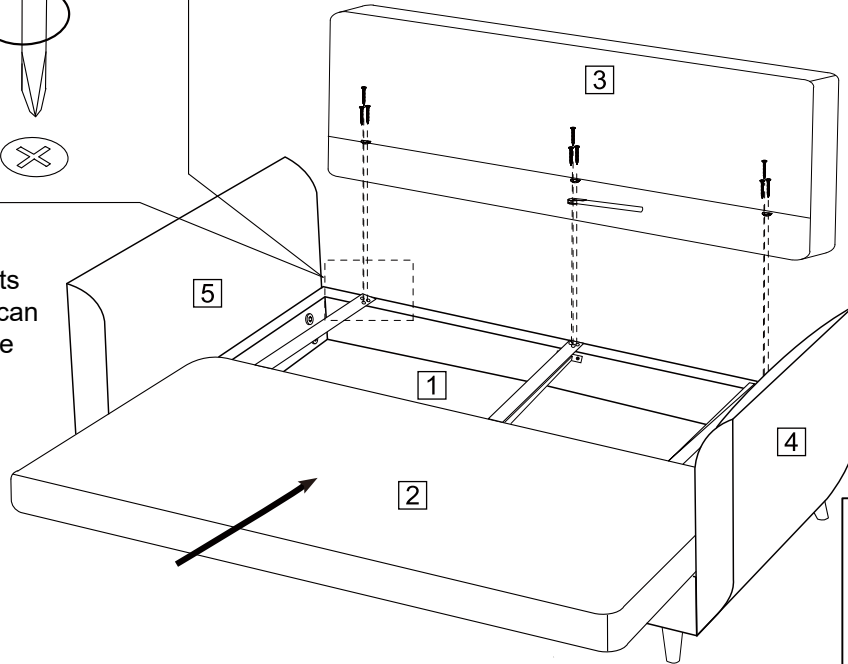
Step 5 With help, assemble sofa backrest to sofa base.



Important

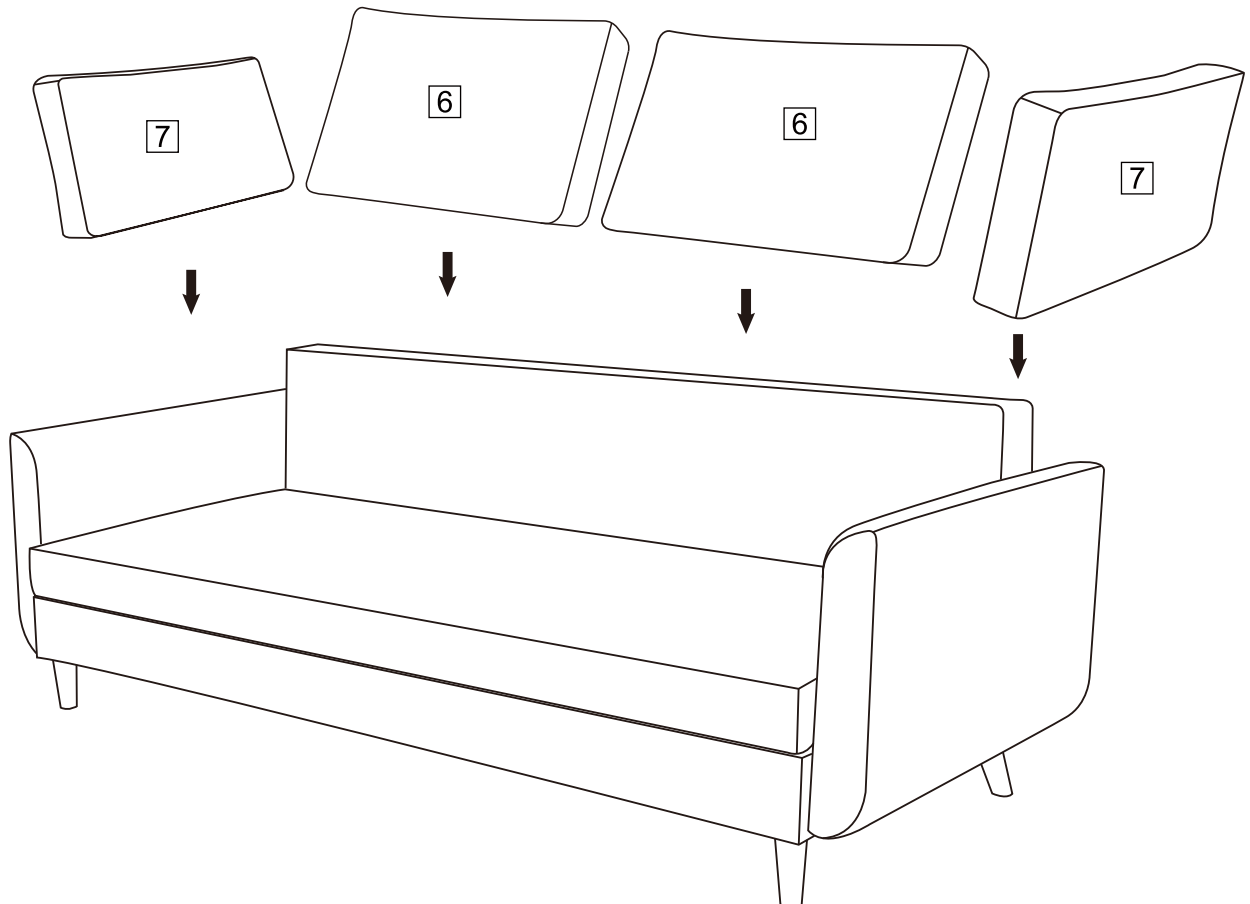
The fabric strap must be located in between the metal hinge and the sofa base.

Note:
The fabric strap has two eyelets for screws C. The third screw can be screwed directly through the fabric strap.



Step 6

Locate cushions

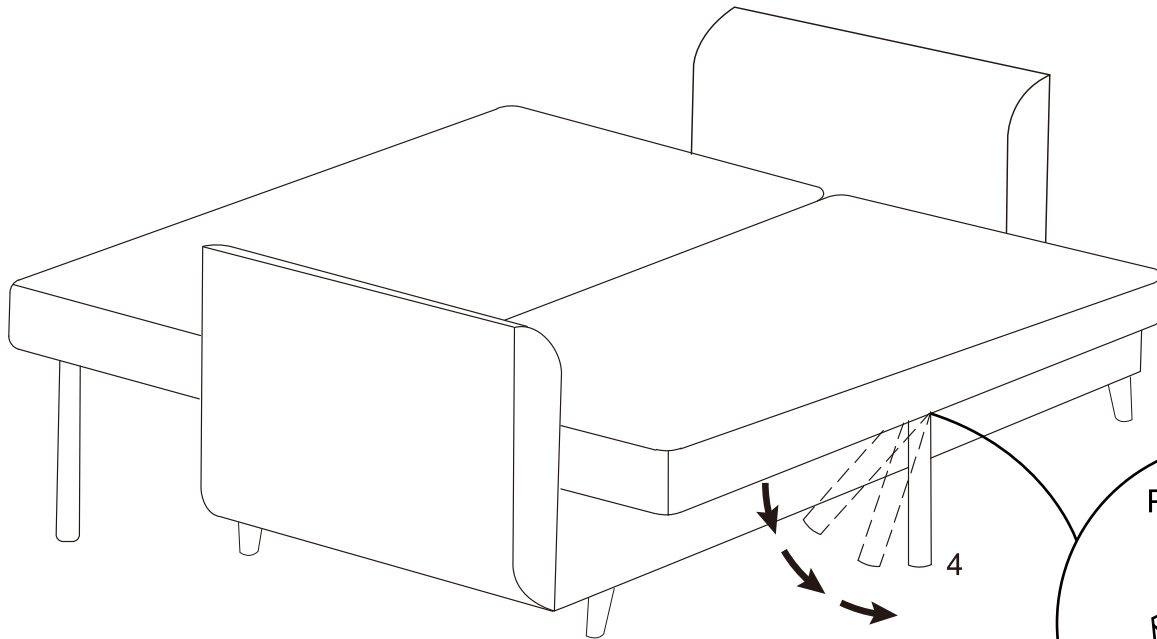
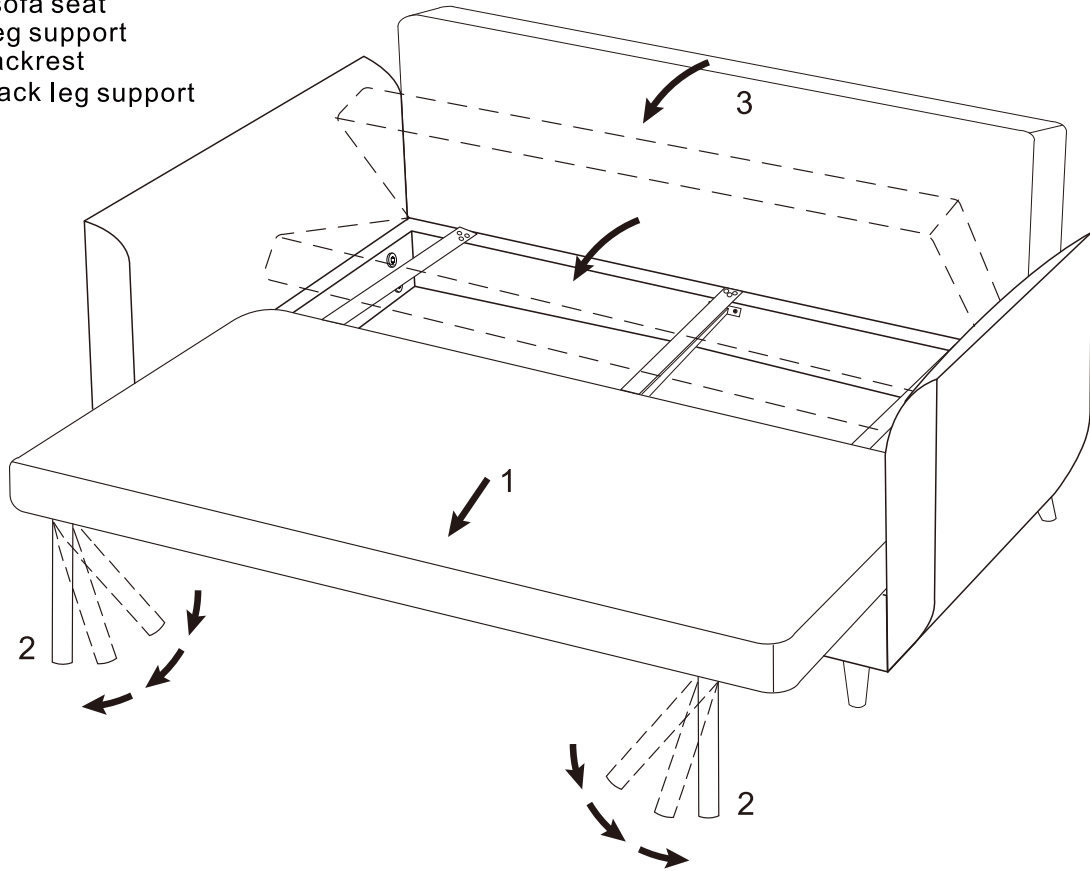


Assembly Steps

Step 7

Bed

1. Pull out sofa seat
2. Extend leg support
3. Lower backrest
4. Extend back leg support



Important

Fold out leg must be extended down whilst in the sleeping position!